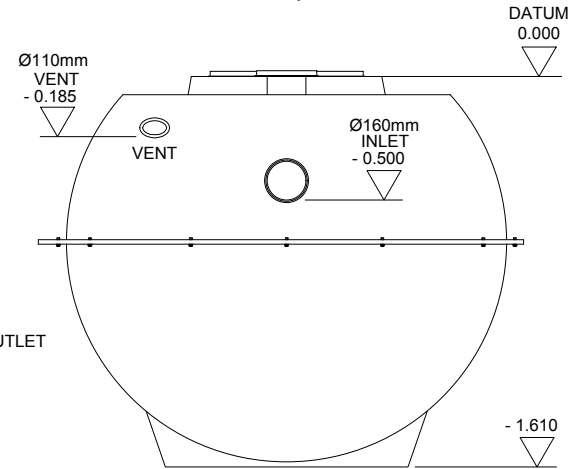
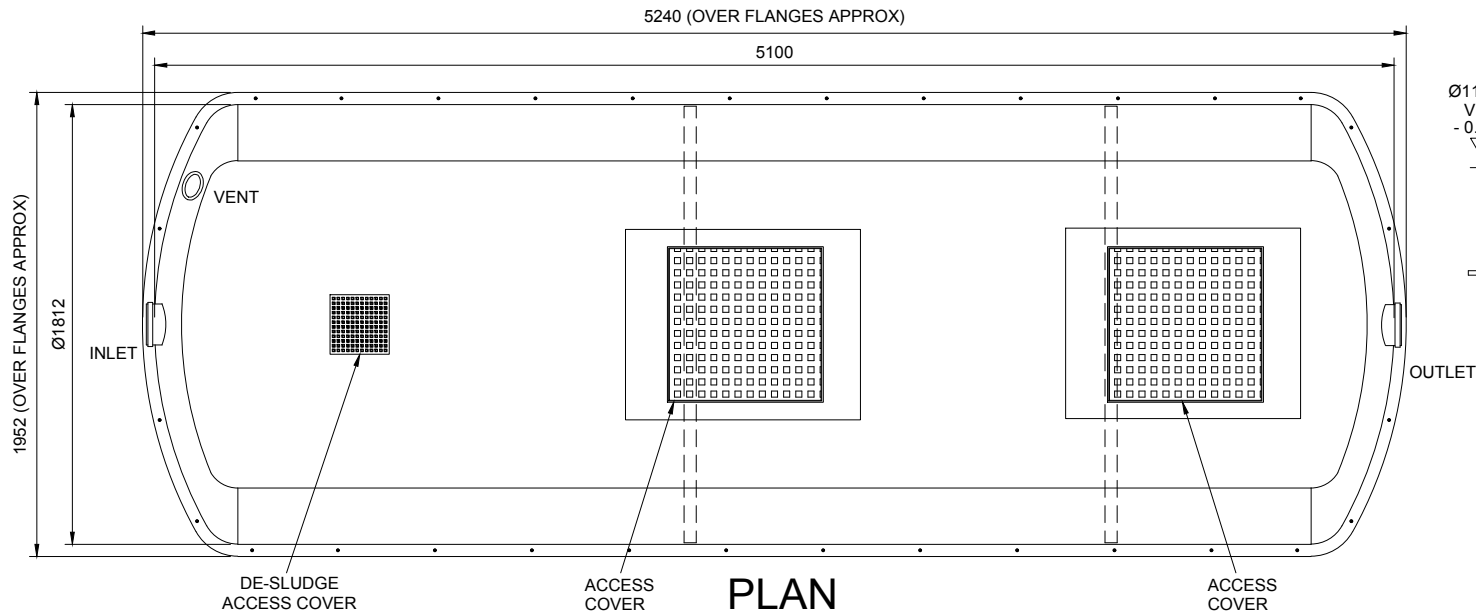
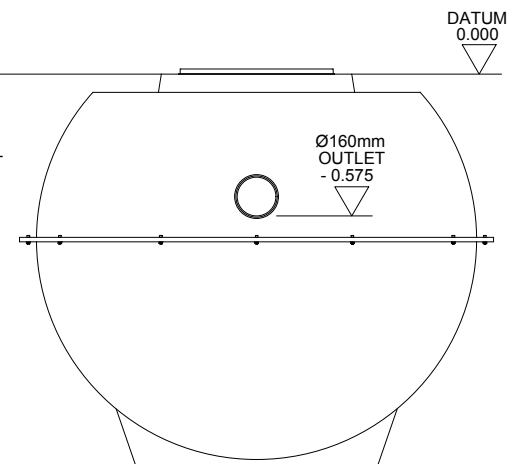
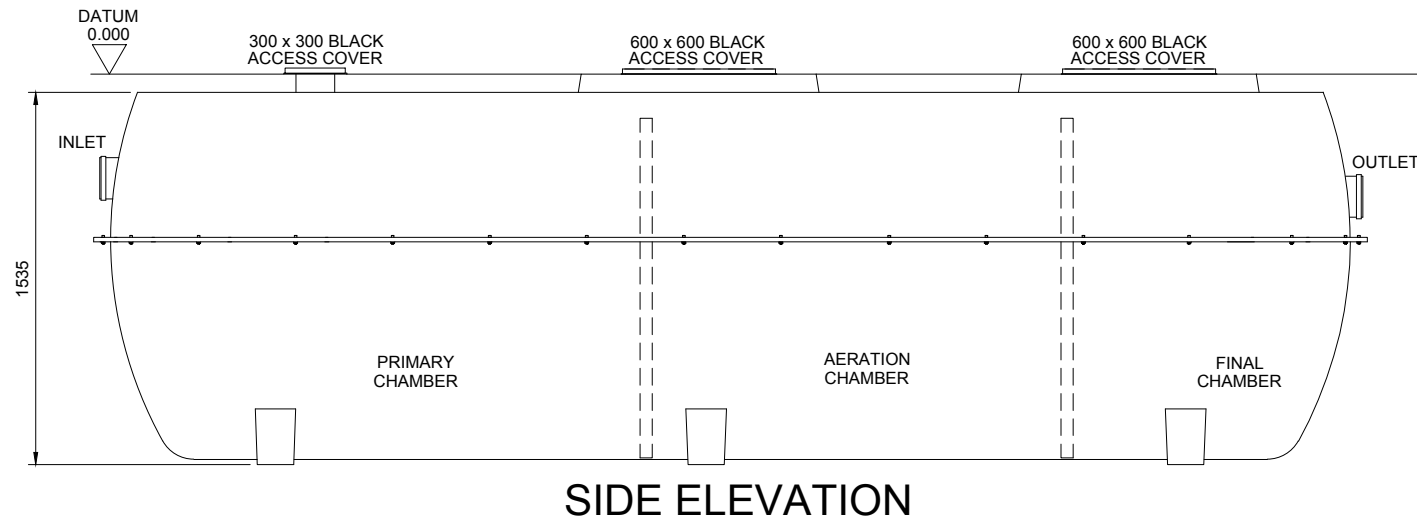


GENERAL NOTE:
 All tanks are subject to a 2.5% tolerance on all dimensions.
 Any internals (if shown) are for guidance only, and may vary due to individual specifications.




VIEW ON INLET



VIEW ON OUTLET

REV	DESCRIPTION	DATE	SIG	REV	DESCRIPTION	DATE	SIG
A	For Approval	20.07.14	P.L.				

THIS DRAWING IS THE PROPERTY OF MARSH INDUSTRIES LTD. AND MUST NOT BE REPRODUCED OR CIRCULATED FOR ANY PURPOSE WHATSOEVER WITHOUT FIRST OBTAINING WRITTEN CONSENT FROM THE MARSH INDUSTRIES LTD.				CLIENT
ORIG.	CHKD	APPD		
SCALE		DATE		
N.T.S.		20.07.2014		
3 RD ANGLE PROJECTION		DO NOT SCALE IF IN DOUBT ASK		

TITLE	MARSH INDUSTRIES LTD.	REV
MARSH UNI:ENSIGN SHALLOW TANK RANGE 35 (THIRTY FIVE PERSONS) EN12566-3:2005+A1:2009 GRAVITY OUTLET.	 UNITS 8-13 ADDINGTON PARK IND. EST., LITTLE ADDINGTON, KETTERING, NORTHAMPTONSHIRE, NN14 4AS.	A
ES 35PE STD		