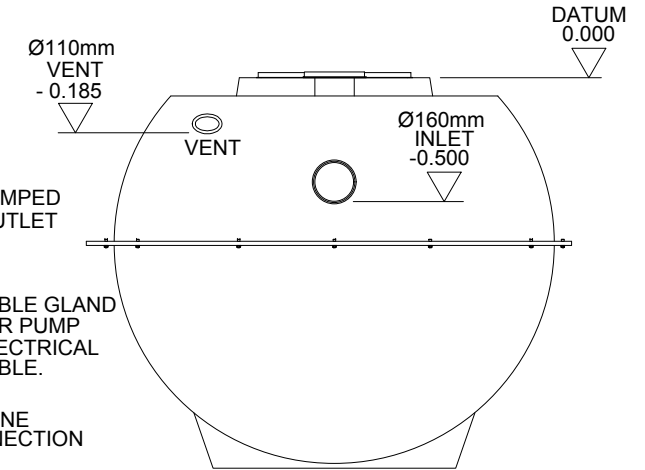
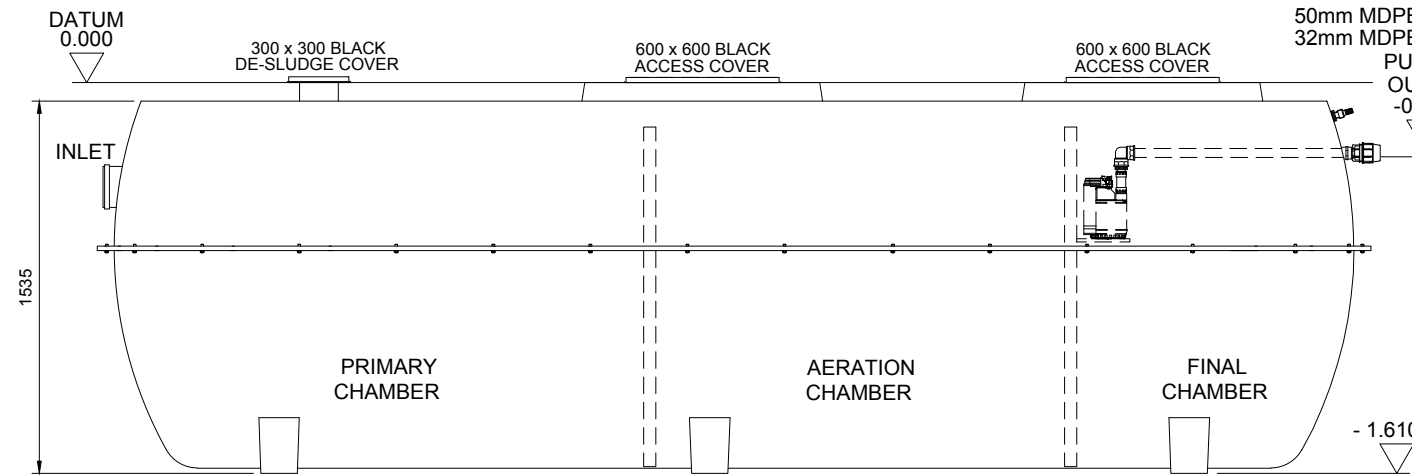


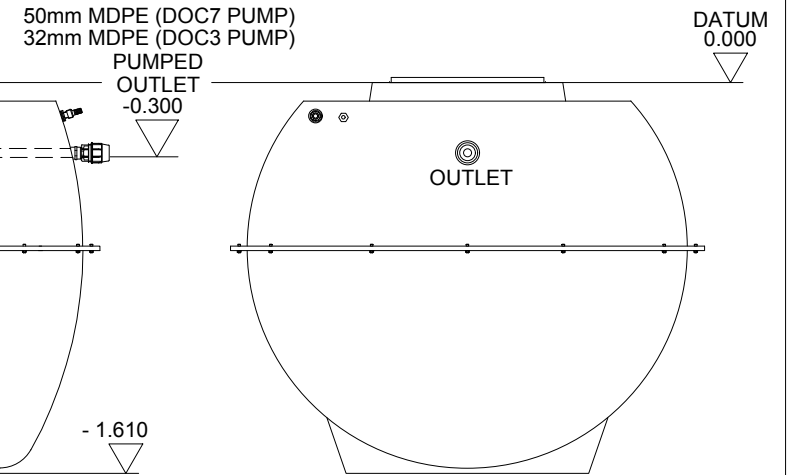
**GENERAL NOTE:**  
All tanks are subject to a 2.5% tolerance on all dimensions. Any internals (if shown) are for guidance only, and may vary due to individual specifications.



**VIEW ON INLET**



**SIDE ELEVATION**



**VIEW ON OUTLET**

REV	DESCRIPTION	DATE	SIG	REV	DESCRIPTION	DATE	SIG
A	For Approval	20.07.14	P.L.				

REV	DESCRIPTION	DATE	SIG

THIS DRAWING IS THE PROPERTY OF MARSH INDUSTRIES LTD. AND MUST NOT BE REPRODUCED OR CIRCULATED FOR ANY PURPOSE WITHOUT FIRST OBTAINING WRITTEN CONSENT FROM THE MARSH INDUSTRIES LTD.

ORIG.	CHKD	APPD
SCALE	DATE	
N.T.S.	20.07.2014	
3 RD ANGLE PROJECTION	DO NOT SCALE IF IN DOUBT ASK	

CLIENT
--------

TITLE  
MARSH UNI:ENSGN SHALLOW TANK.  
35 (THIRTY FIVE PERSONS)  
EN12566-3:2005+A1:2009  
PUMPED OUTLET.

**MARSH**  
INDUSTRIES LTD.  
UNITS 9-13 ADDINGTON PARK IND. EST.  
LITTLE ADDINGTON, KETTERING,  
NORTHAMPTONSHIRE, NN14 4AS.

ES 35 PO STD  
REV A