

This document is brought to you by



ohelhall

SMART WATER
SOLUTIONS



01371 850537 / info@ohel.co.uk / www.ohel.co.uk

Assembly instructions and mounting guide

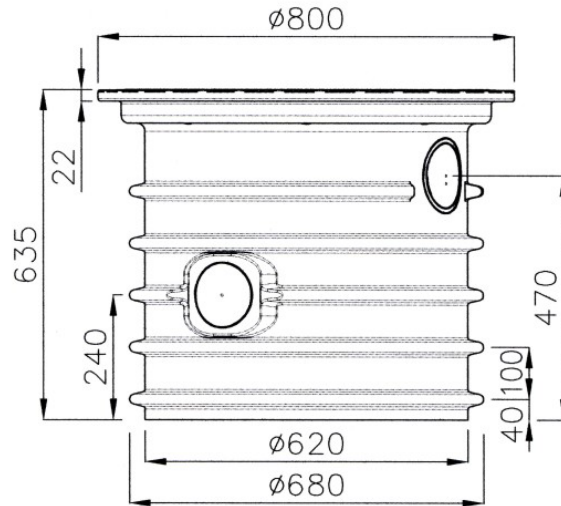
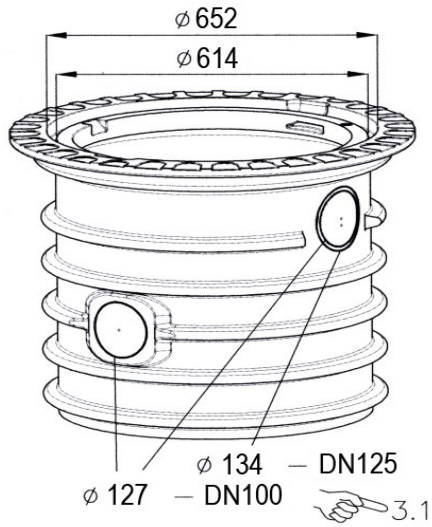
Shaft extensions VS 60 and VS 20



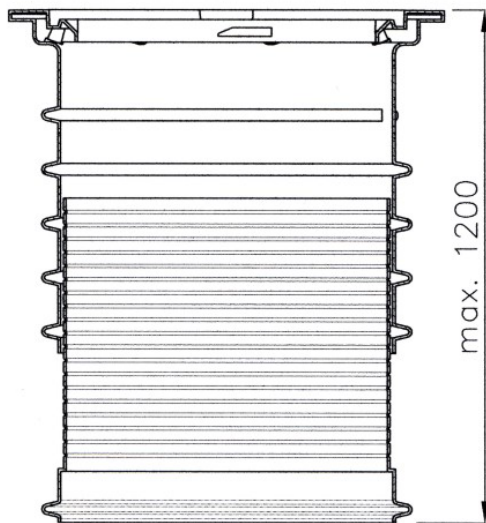
1. Measurements

1.1 VS 60

1.1.1 Standard measurements

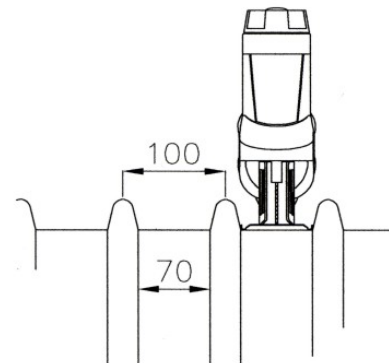
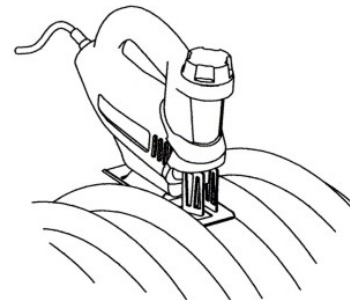


1.1.2 VS 60 Extension



.... by spacer ring (RWDS0060).
 The spacer ring can be shortened.
 Deeper installation: 2 spacer rings
 (Consider max. installation depth!)

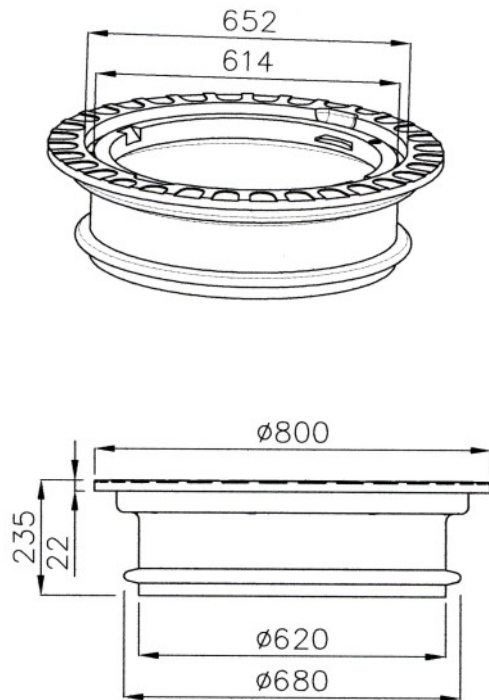
1.1.3 VS 60 Shortening



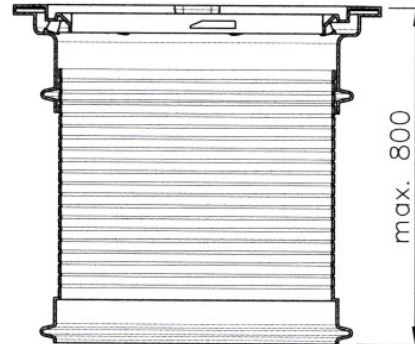
..... by jigsaw, handsaw or similar

1.2 VS 20

1.2.1 VS 20 Standard measurements

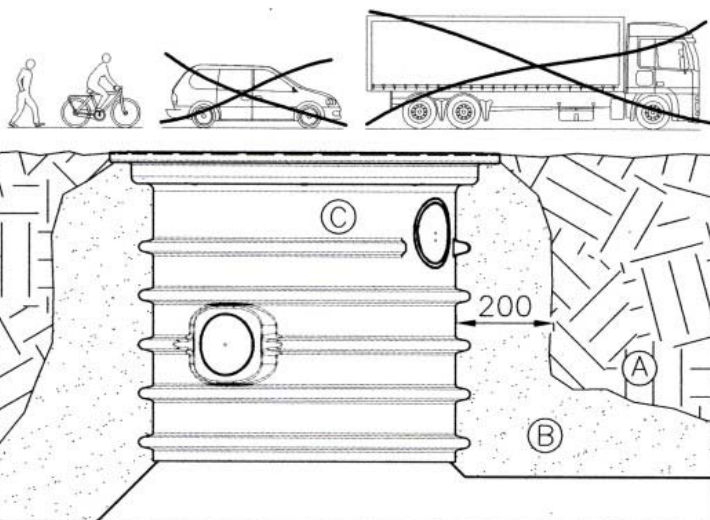


1.2.2 VS 20 Extension



.... by spacer ring (RWDS0060).
The spacer ring can be shortened.
Deeper installation: 2 spacer rings
(Consider max. installation depth!)

2. Installation VS 60 and VS 20



A: Excavation

B: Filling material:

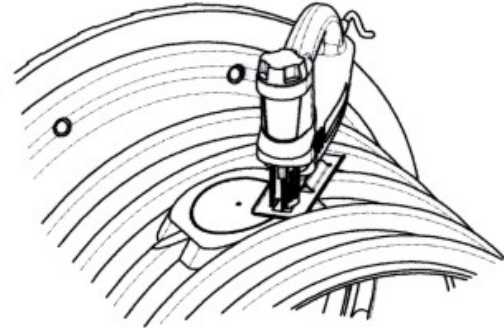
- well compactable, free from sharp objects, permeable
- have to build a tight package: wide staged granulation spectrum up to 32 (e.g. 0/32, 2/12 or similar)
- only a minimal amount of clay and silt, no sharp objects

A und B: Processing: Compact in single layers of 100 mm without use of mashines with hand stamper (approx. 15 kg)

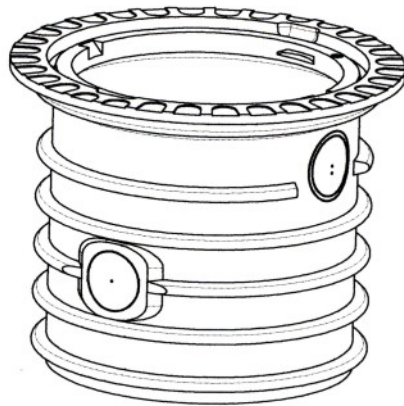
C: VS 60 or VS 20

3. Connection Details

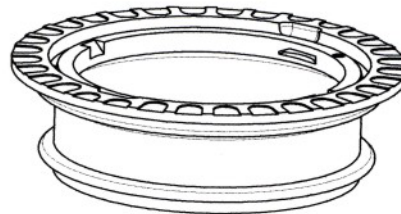
3.1 Connection areas VS 60



The connection areas have circular saw markings, the diameter of each is appropriate for the use of lamella gaskets DN 100 or DN 125, see 1.1.1. The sawing can be done with an appropriate hole saw or a jigsaw (see figure).



VS 60



VS 20

REWATEC GmbH Juni 2010
Technical changes and rights reserved. No liability for misprints

The contents of the technical documentation are a component of the guarantee terms
Planning and installation regulations are to be followed, as well as the accident prevention regulations.