

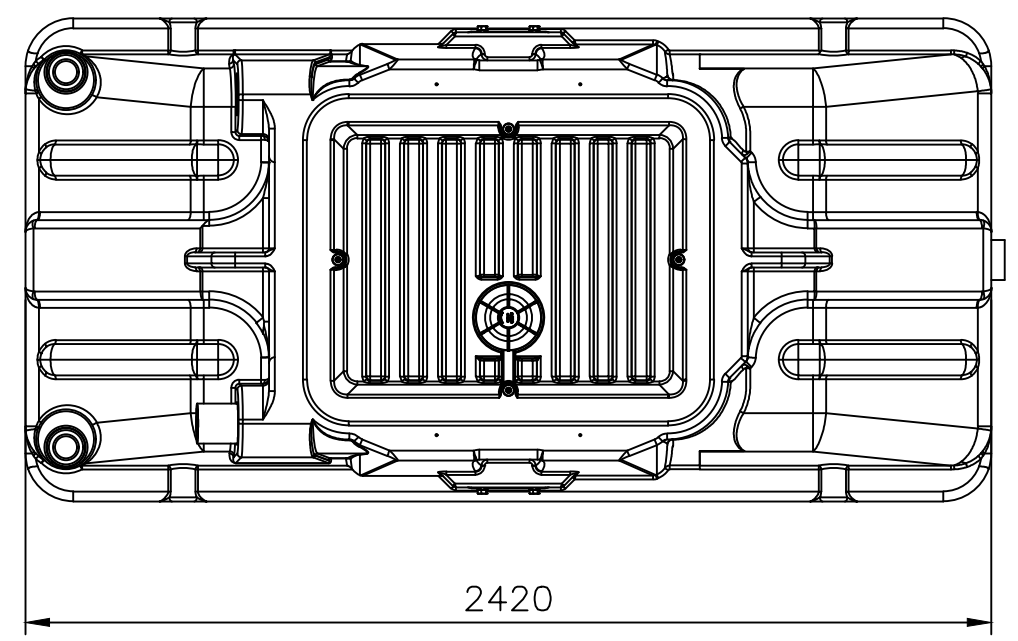
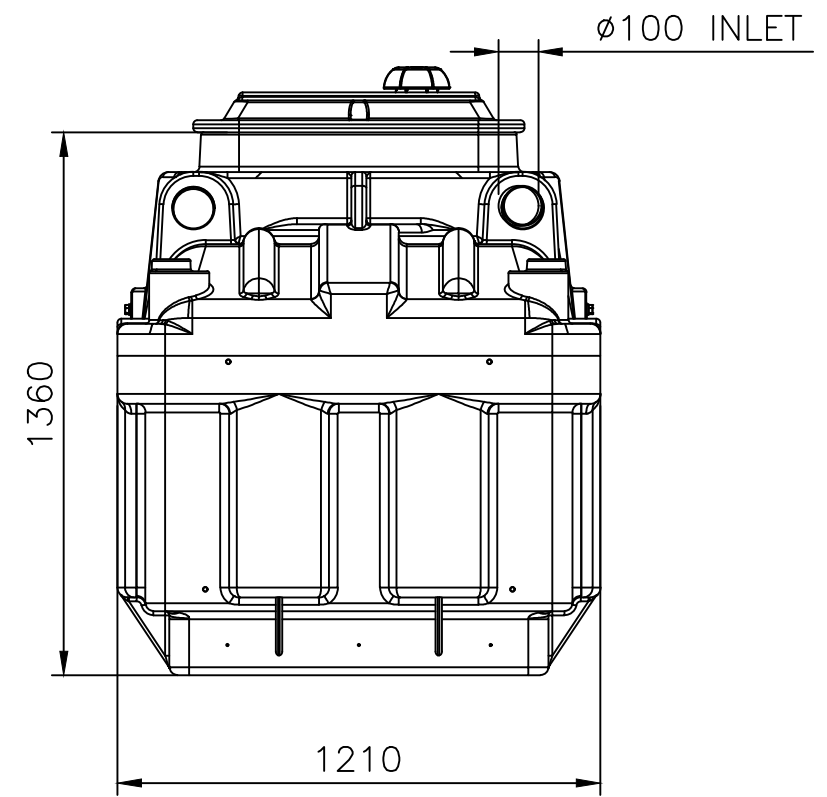
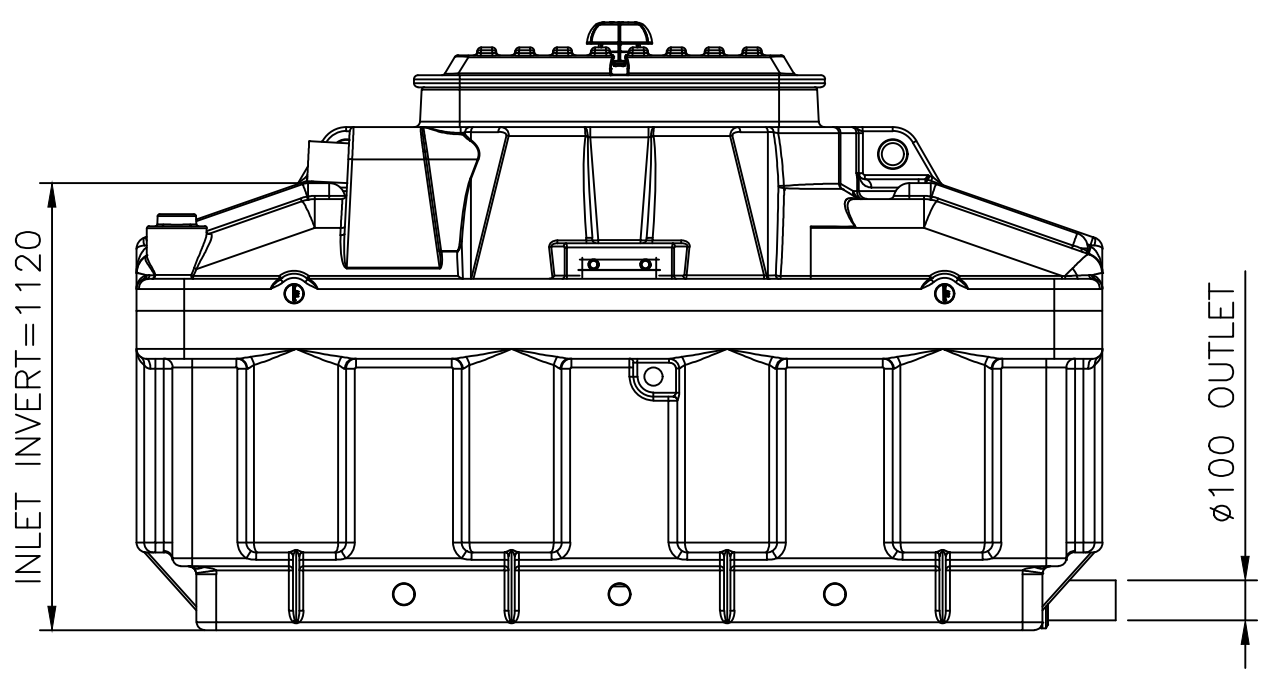
A

B

C

D

E



NOTES:  
SIZING AND INSTALLATION TO CONFORM TO LOCAL REGULATIONS AND TO MANUFACTURERS INSTALLATION GUIDELINES.

DIMENSIONAL TOLERANCE: ±3%

2	23.06.21	CW	PS	DE	DRAWING BORDER UPDATED
REV.	DATE	BY	CHKD.	APPD.	DESCRIPTION
FOR INTERNAL USE ONLY		1ST ANGLE PROJECTION		GENERAL TOLERANCES (unless noted otherwise) GRP FABRICATED ± 5mm ANGLE ±0.5° MACHINED ± 2mm ±0.2° ± 0.5mm ±0.1°	
A3		DO NOT SCALE IF IN DOUBT ASK ALL DIMENSIONS IN MM		THIS DRAWING IS THE PROPERTY OF PREMIER TECH WATER AND ENVIRONMENT LTD AND IS NOT TO BE COPIED IN PART OR WHOLE WITHOUT WRITTEN PERMISSION TANKS SUPPLIED WITH LOOSE SHAFTS DO NOT COME SUPPLIED WITH A FIXING KIT. THIS IS THE RESPONSIBILITY OF THE SITE CONTRACTOR.	

TITLE ECOFLO HDPE FILTER 4PE					
DRAWN BY LT	CHKD. RP	APPD. -	SCALE NTS	DRAWING No. ECOFLO HDPE FILTER 4PE-SALES	PAGE 1/1
DATE 11.02.16	DATE 11.02.16	DATE -			

