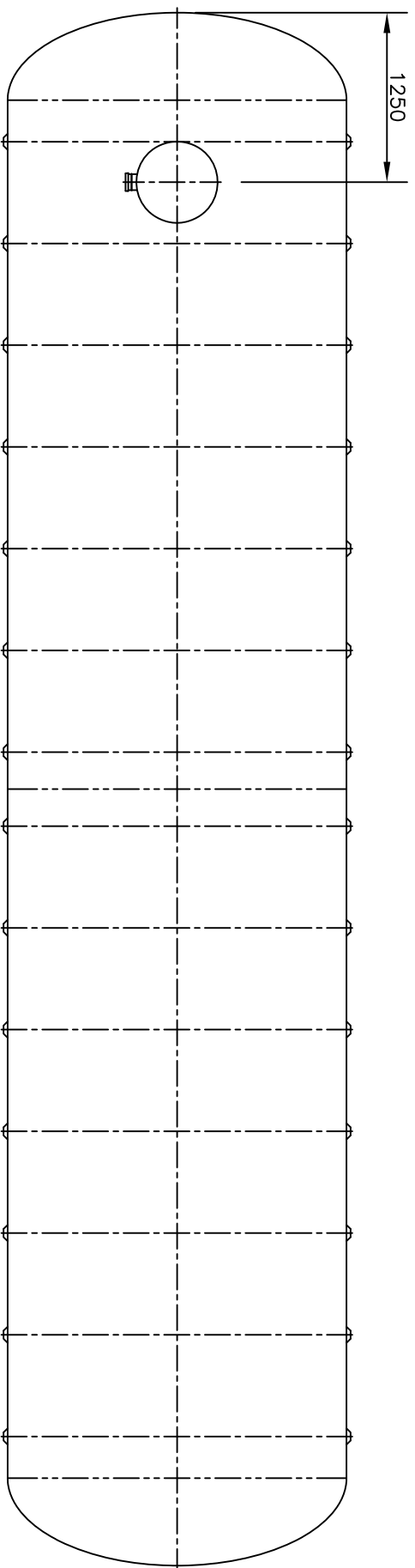
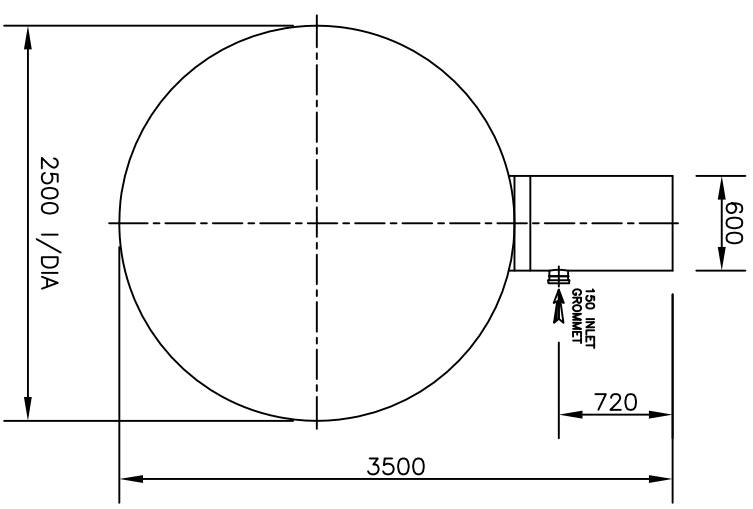
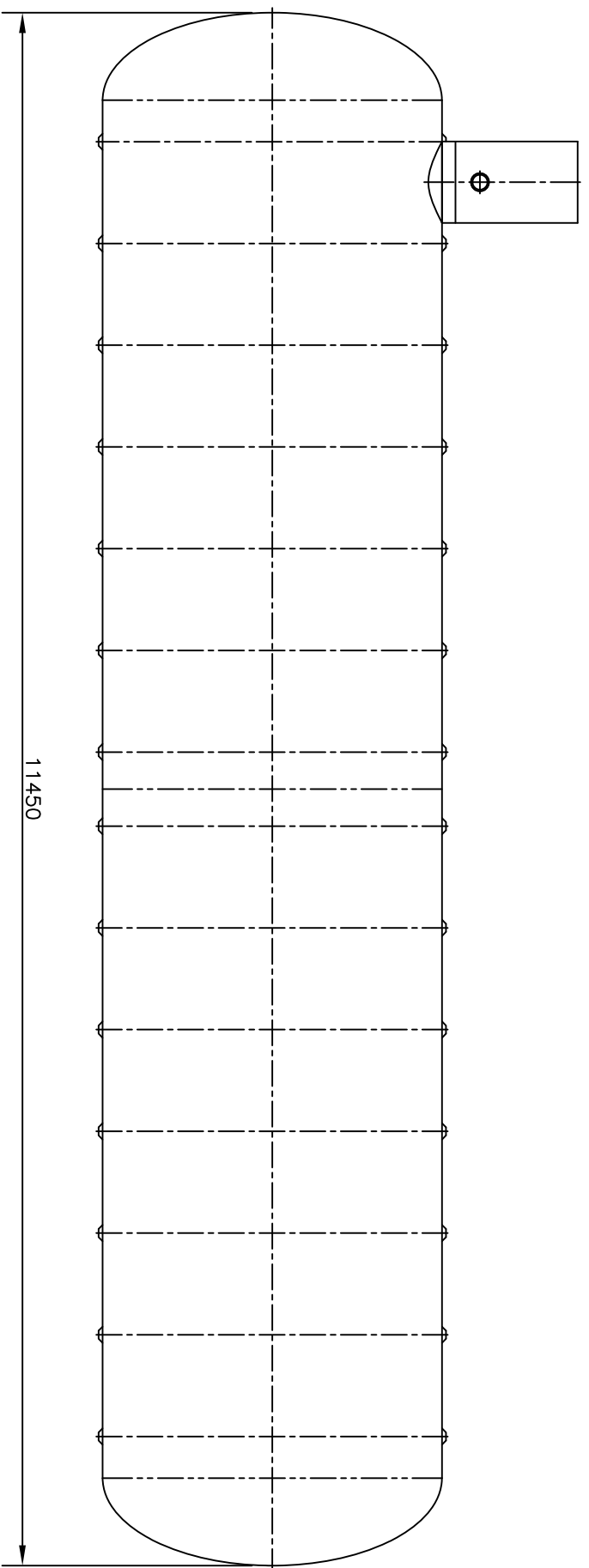
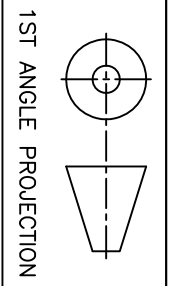
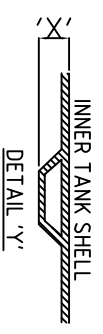


1 2 3 4 5 6



IMPORTANT INVERT LEVEL NOTE (RIBBED TANKS ONLY):
 The inlet and outlet Invert Level(IL) shown on this drawing is to internals of the shell unless otherwise stated.
 For Invert level to the outside of the shell ribs, see the conversion below:
 $\phi 1.0m, 1.2m, 1.5m, 1.8m, 2.5m$ IL +50mm ('X')
 $\phi 3.0m, 4.0m$ IL +75mm ('X')

TANKS SUPPLIED WITH LOOSE SHAFTS DO NOT COME SUPPLIED WITH A FIXING KIT.
 THIS IS THE RESPONSIBILITY OF THE SITE CONTRACTOR.



TITLE
 CP54.0 - 54,000L
 CESSPOOL

REV.	DATE	BY	CHKD.	RP	ISSUED FOR INFORMATION	DESCRIPTION
1	23.03.09	RU	PB	RP	ISSUED FOR INFORMATION	
A3	DO NOT SCALE IF IN DOUBT ASK ALL DIMENSIONS IN MM			GRP FABRICATED MACHINED	GENERAL TOLERANCES (unless noted otherwise) ± 5mm ± 2mm ± 0.5mm	THIS DRAWING IS THE PROPERTY OF PREMIER TECH AQUA Ltd. AND IS NOT TO BE COPIED IN PART OR WHOLE WITHOUT WRITTEN PERMISSION

DRAWN BY	CHKD.	APPD.	SCALE	DRAWING No.	REVISION
RU	PB	RP	NTS	CP54.0 SALES	1
DATE 23.03.09	DATE 23.03.09	DATE 23.03.09			