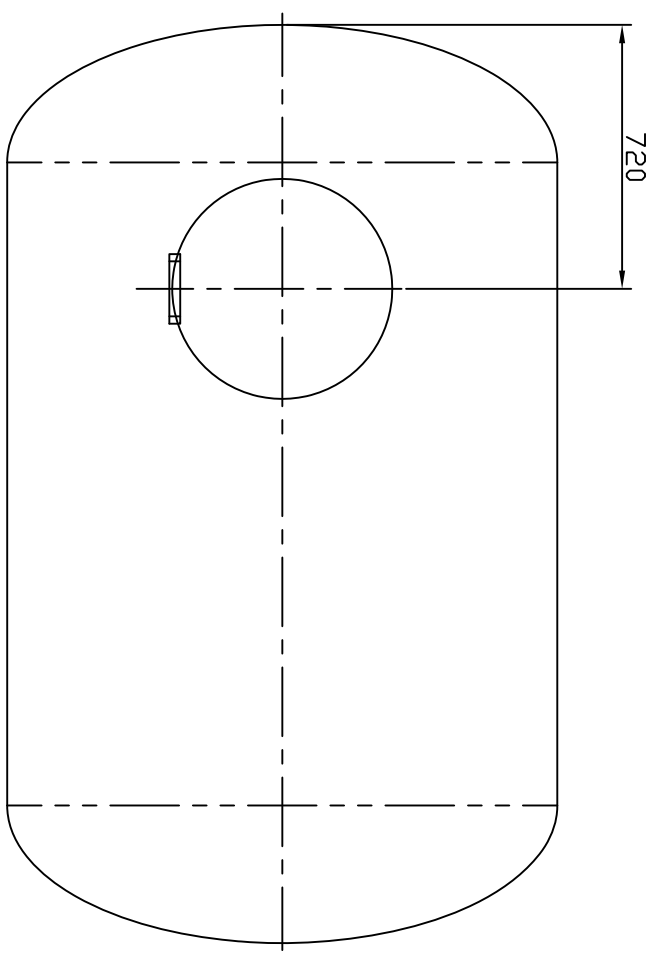
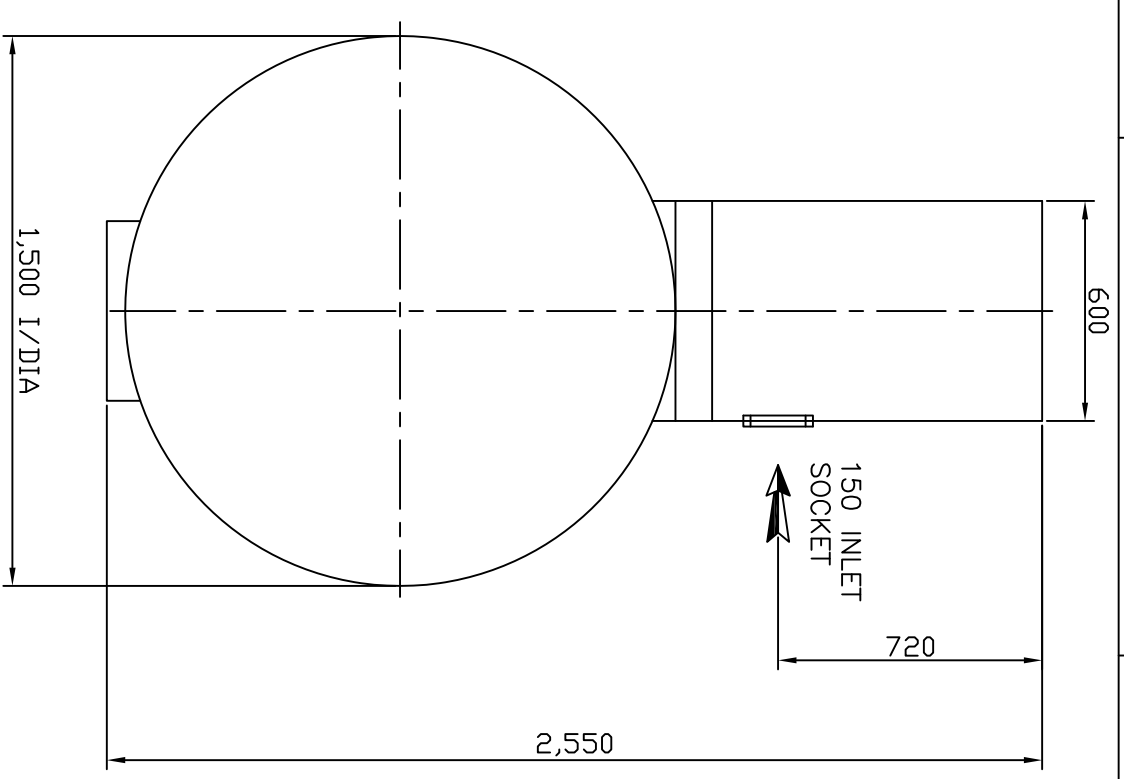
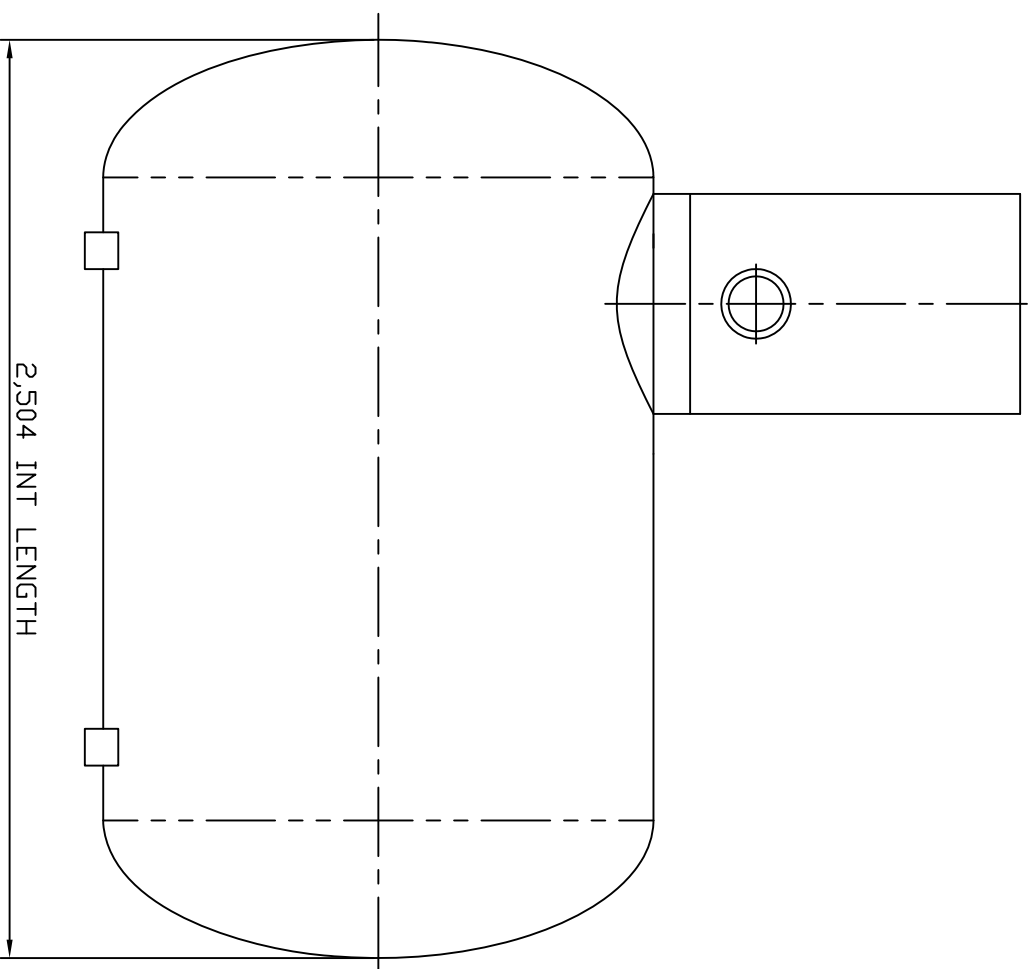
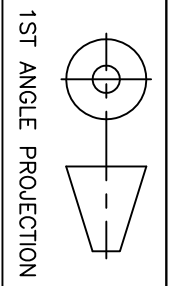
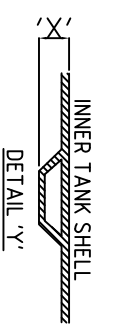


1 2 3 4 5 6



IMPORTANT INVERT LEVEL NOTE (RIBBED TANKS ONLY):
 The inlet and outlet Invert Level(IL) shown on this drawing is to internals of the shell unless otherwise stated.
 For Invert level to the outside of the shell ribs, see the conversion below:
 ø1.0m, 1.2m, 1.5m, 1.8m, 2.5m IL+50mm ('X')
 ø3.0m, 4.0m IL+75mm ('X')

TANKS SUPPLIED WITH LOOSE SHAFTS DO NOT COME SUPPLIED WITH A FIXING KIT.
 THIS IS THE RESPONSIBILITY OF THE SITE CONTRACTOR.



TITLE
 CP4.0 - 4,000L
 CESSPOOL

REV.	DATE	BY	CHKD.	RU	RU	FEET ADDED	DESCRIPTION
2	16.08.11	DG	RU	RU			GENERAL TOLERANCES (unless noted otherwise) GRP FABRICATED ± 5mm MACHINED ± 2mm LINEAR ± 0.5mm ANGLE ± 0.2° ± 0.1°

DRAWN BY	RU	CHKD.	PB	APPD.	RP	SCALE	DRAWING No.	REVISION
DATE	23.03.09	DATE	23.03.09	DATE	23.03.09	NTS	CP4.0 SALES	2

DO NOT SCALE
 IF IN DOUBT ASK
 ALL DIMENSIONS IN MM

THIS DRAWING IS THE PROPERTY OF
 PREMIER TECH AQUA Ltd. AND IS NOT TO BE
 COPIED IN PART OR WHOLE WITHOUT PERMISSION