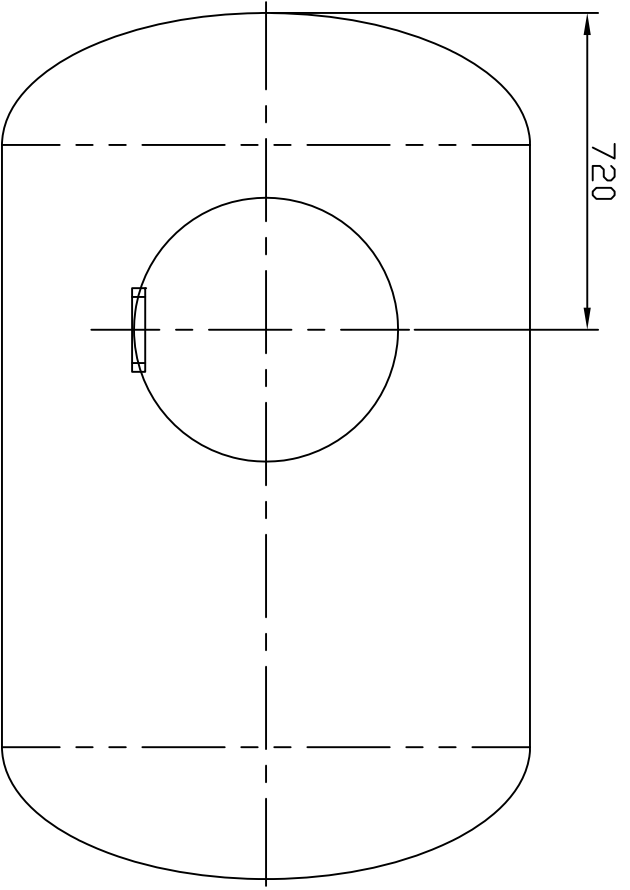
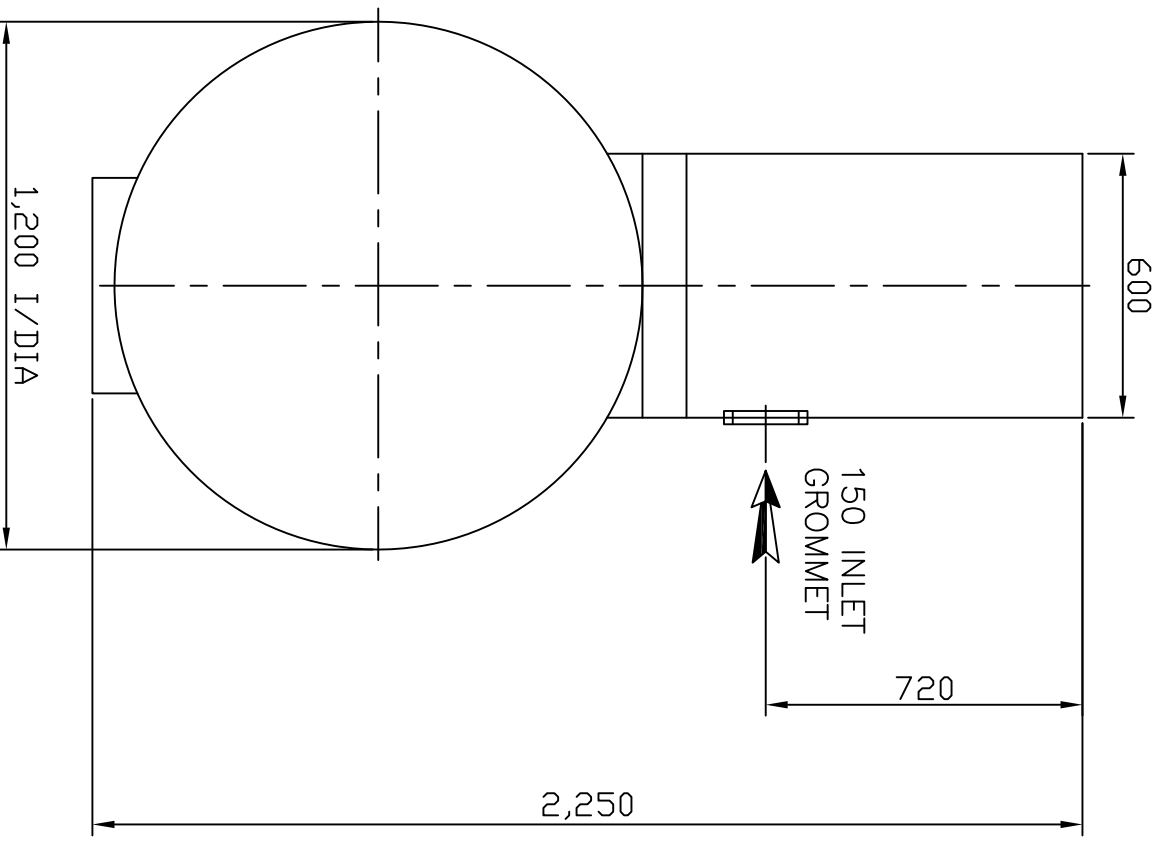
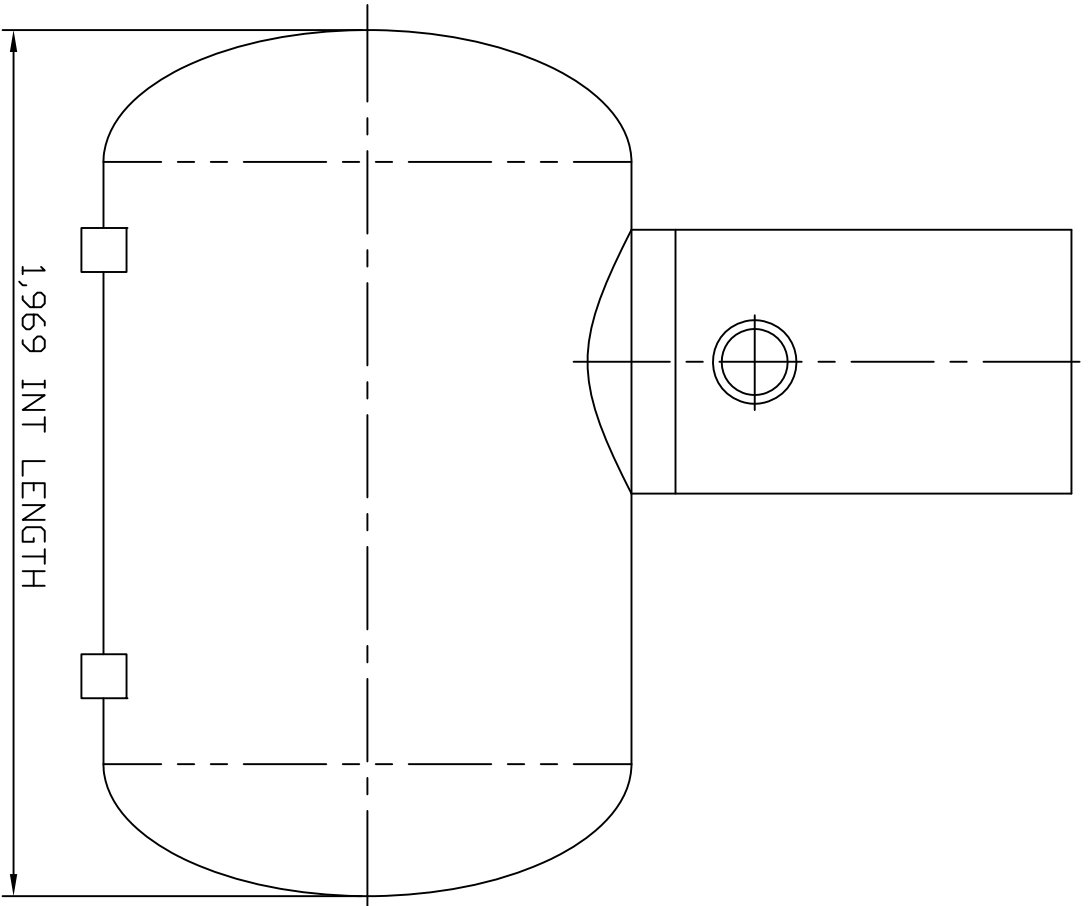
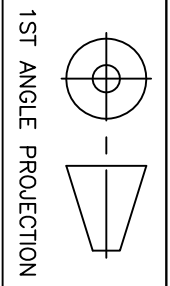
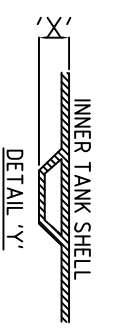


1 2 3 4 5 6



IMPORTANT INVERT LEVEL NOTE (RIBBED TANKS ONLY):
 The inlet and outlet Invert Level(IL) shown on this drawing is to internals of the shell unless otherwise stated.
 For Invert level to the outside of the shell ribs, see the conversion below:
 $\phi 1.0m, 1.2m, 1.5m, 1.8m, 2.5m$ IL+50mm ('X')
 $\phi 3.0m, 4.0m$ IL+75mm ('X')

TANKS SUPPLIED WITH LOOSE SHAFTS DO NOT COME SUPPLIED WITH A FIXING KIT.
 THIS IS THE RESPONSIBILITY OF THE SITE CONTRACTOR.



REV.	DATE	BY	CHKD.	PB	RP	ISSUED FOR INFORMATION
1	23.03.09	RU				
DO NOT SCALE IF IN DOUBT ASK ALL DIMENSIONS IN MM						
GENERAL TOLERANCES (unless noted otherwise)						
GRP FABRICATED		LINEAR		ANGLE		
MACHINED		$\pm 5mm$ $\pm 2mm$		$\pm 0.5^\circ$ $\pm 0.2^\circ$ $\pm 0.1^\circ$		
DESCRIPTION						
THIS DRAWING IS THE PROPERTY OF PREMIER TECH AQUA Ltd. AND IS NOT TO BE COPIED IN PART OR WHOLE WITHOUT WRITTEN PERMISSION						

DRAWN BY		CHKD.		APPD.		SCALE		DRAWING No.		REVISION	
RU		PB		RP		NTS		CP2.0 SALES		2	
DATE		DATE		DATE							
23.03.09		23.03.09		23.03.09							
TITLE											
CP2.0 - 2,000L CESSPOOL											