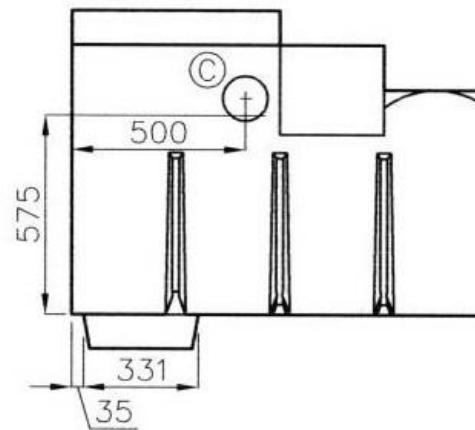
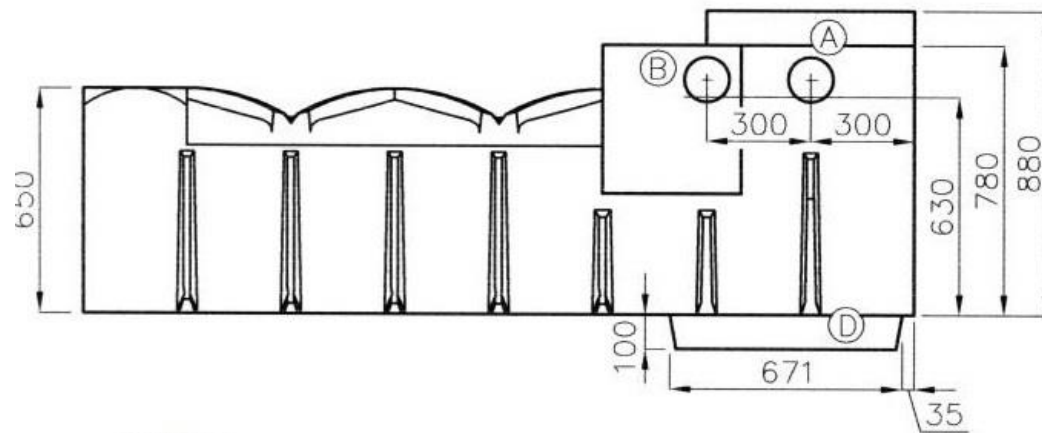
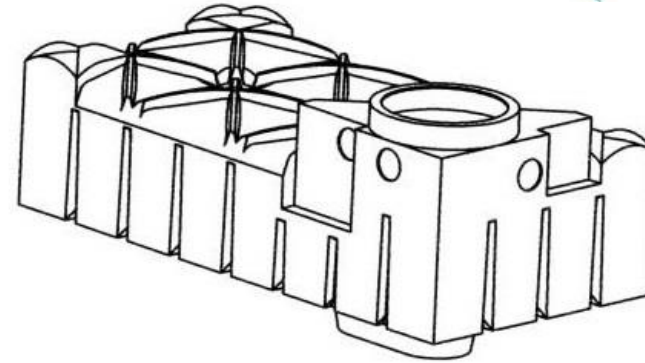
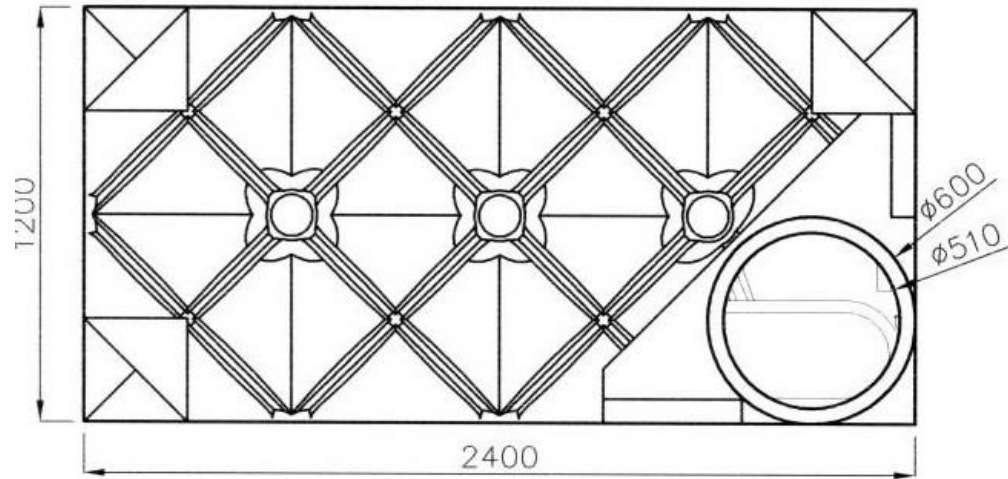


1.500L



Weight 80Kg

A/B Connection inflow/connection service pipe DN 100

C connection overflow DN 100

D pump basin

For Technical Assistance Call: 01844 877 030