

This document is brought to you by



ohelhall

SMART WATER
SOLUTIONS



01371 850537 / info@ohel.co.uk / www.ohel.co.uk

Assembly and installation instructions

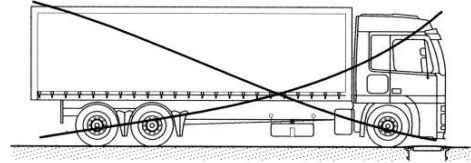
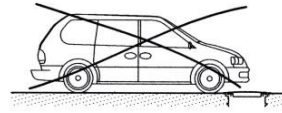
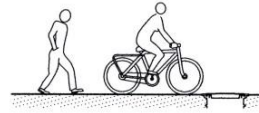
Tank Cover - TopCover



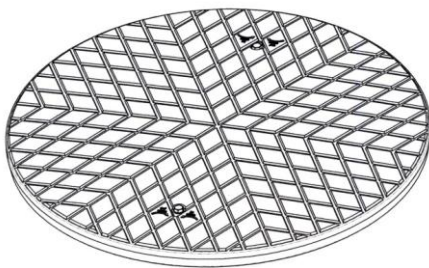
1. General

1.1 Traffic loads

The tank coverage is classified as loadable to 150 kg.

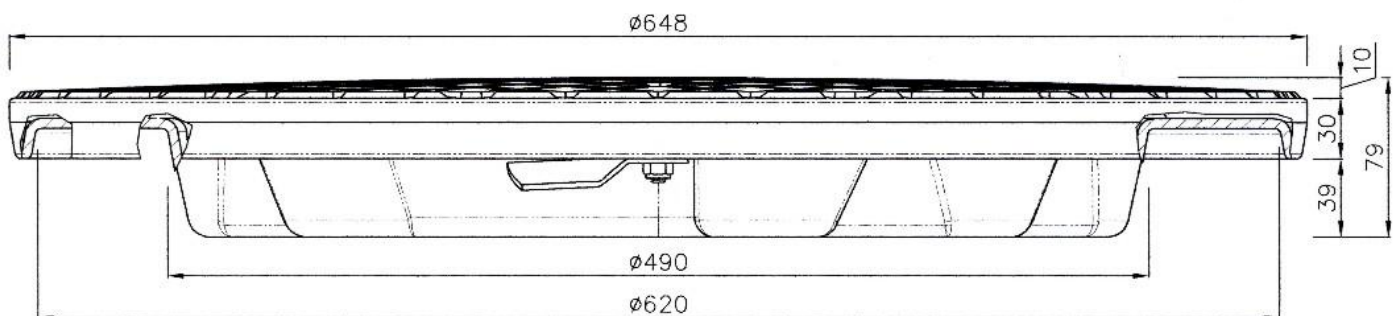


1.2 Overview



- A Locking bolt
- B Child protection bolt
- C Adaptor for locking bolt with retrofit (see 2.2.1)

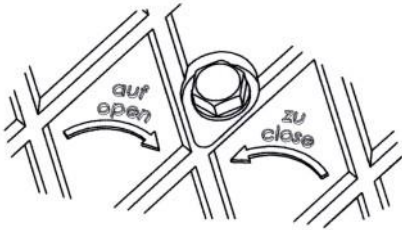
1.3 Main measurements



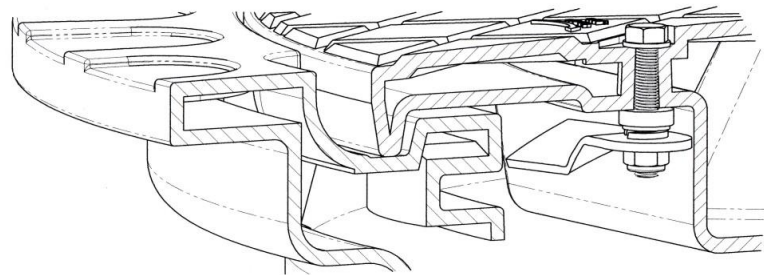
2. Child protection

2.1 Function, example with shaft extension VS

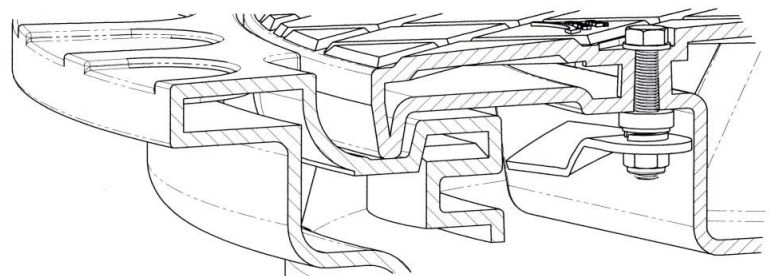
The TopCover is ready for installation on a shaft extension VS



By turning the hexagonal screw on the upper side of the cover, the bolt (B) is operational and the child protection bolt is closed. The bolt slides into a pocket or grips the inner edge of an inspection shaft. (Point 2.2.1) Maximum one quarter rotation is necessary. The rotation direction is given on the top of the cover.

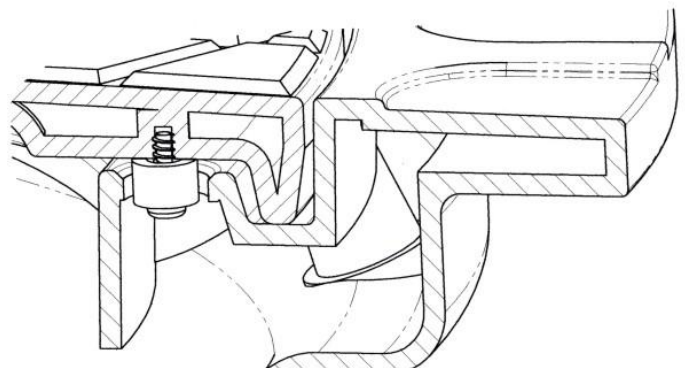


opened



closed

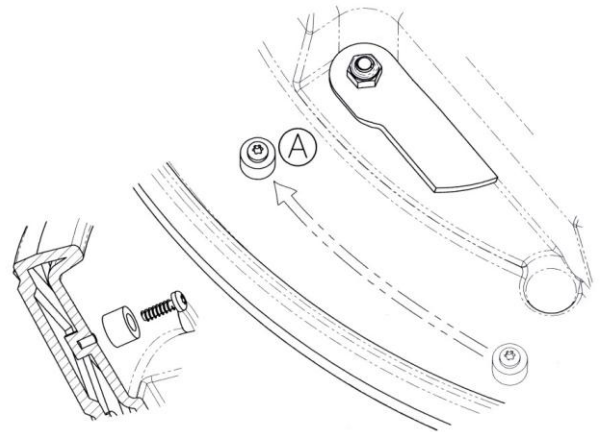
The locking bolt (A) prevents the cover spinning. It must be fixed in the correct position in the shaft extension or the inspection shaft of the tank.



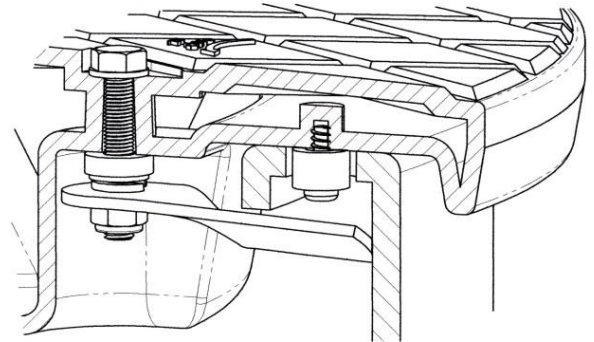
2.2 Installation in inspection shafts (directly on the tank, or 2008 Shaft Extension VS)

2.2.1 Pre-mounting

The locking bolt (A) is unscrewed and replaced in the correct position in the cover (C in point 1.3).

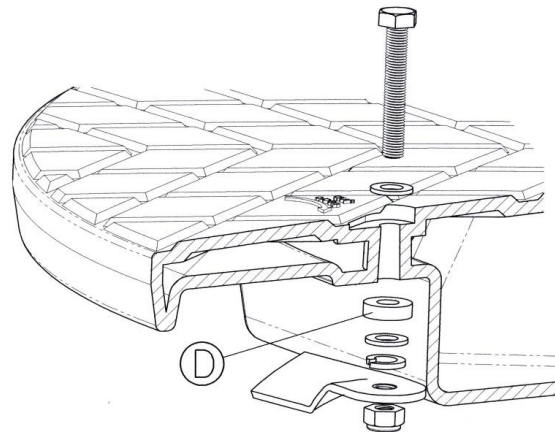


The figure on the right shows the child protection lock in an inspection shaft in the closed position.

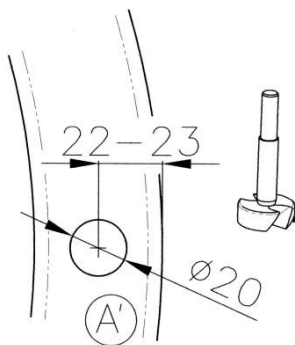


2.2.2 Adjusting the depth of the child protection bolt

If the cover can be easily raised when the child lock is on, it can be adjusted by removing the plastic-spacer (F, 5 mm high). If the child lock is too tight it can be loosened by attaching additional spacers or washers in the position F. When assembling, the counter nut and the bolt should be about 25mm.



2.2.3 Changing the cover adjustment



With inspection shaft directly on the tank, the drilled hole for the locking bolt is aligned to the cover. If this needs adjusting, an additional drilling of A' can be made, see figure on the left.

Rewatec GmbH April 2009
Technical changes and rights reserved. No liability for misprints

The contents of the technical documentation are a component of the guarantee terms.

Notizen / Notes